

## Model SC-15

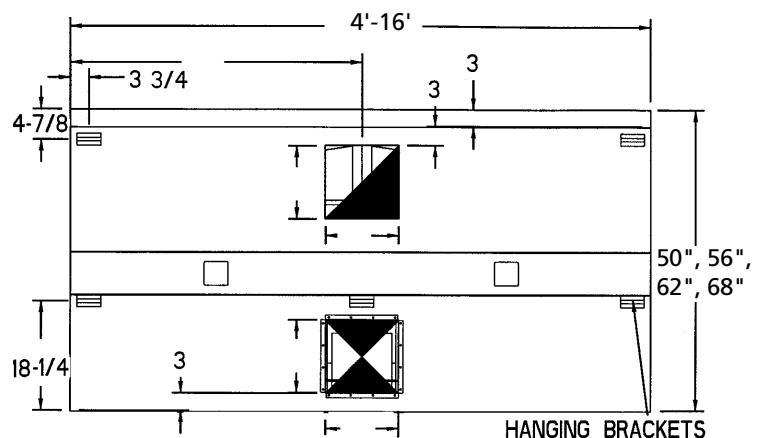
A single plenum internal make-up air canopy constructed of stainless steel where visible and aluminized steel where concealed. All external seams shall be fluid welded and all internal seams shall be sealed with a high temp. silicone caulk. Make-up air shall be introduced under the hood through a full length internal slot. The hood supply plenum shall be lined with 1" thick foil backed fiberglass insulation. The supply air shall pass through two perforated metal baffle plates to even out air flow. A UL Listed collar and fire damper shall be supplied by factory and may be installed in the field if required. Canopy shall be listed to meet NSF and UL 710 Standards and constructed to meet NFPA-96 requirements. Grease trough to be easily removable and slope to removable grease cup.

### STANDARD FEATURES

- UL Listed Aluminum Grease Filters
- UL Listed Globe Lights
- 3" Rear Air Space
- Removable Grease Trough & Cup
- Exhaust & Supply Collars Installed
- 1" Thick Air Plenum Insulation
- Stainless Steel Construction Where Visible
- Hanging Brackets
- UL Listed Fire and Air Volume Dampers in Supply Collar
- Flush Mounted Control Panel

### OPTIONS

- All Stainless Steel Construction
- UL Listed Stainless Steel Grease Filters
- UL Listed Insulated Top, Back and/or Ends for Zero Clearance to Combustible
- 14" Utility Cabinet for Fire Suppression System
- Electrical Control Panel
- Pre-Plumbed Fire Suppression
- Stainless Steel Top Enclosures
- Full-Integrated Duct and Rooftop Package



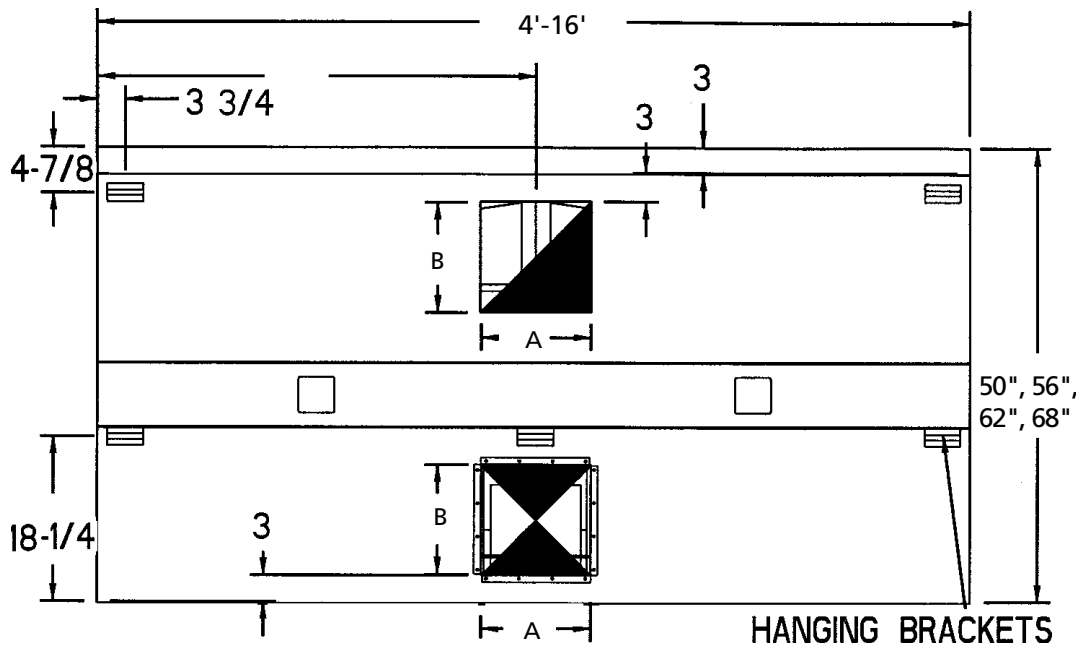
Plan View

(See reverse side for larger drawing)

Note: Two exhaust ducts required after 12' long.

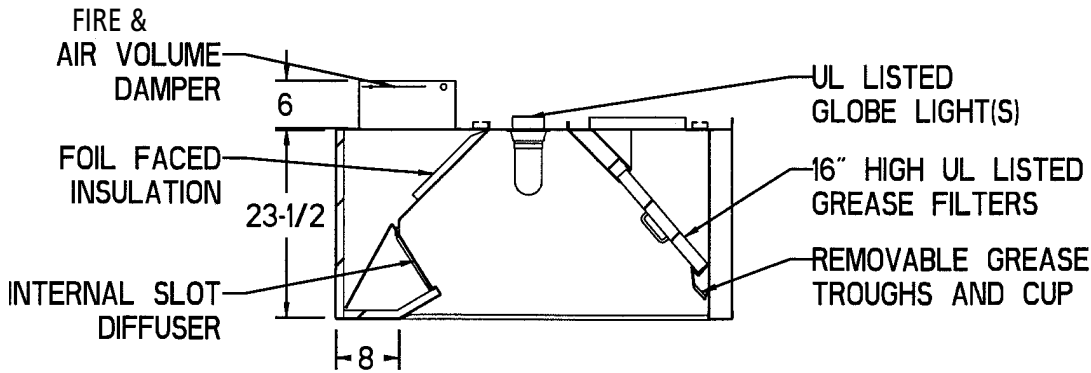
BUILT IN  
ACCORDANCE  
WITH NFPA 96





Plan View

Note: Two exhaust ducts required after 12' long.



Section

**EXHAUST AND SUPPLY RATE REQUIREMENTS**

( Recommended Min. Exhaust Flow Rate)	TEMPERATURE OF EQUIPMENT		
	400°	600°	700°
CFM Exhaust / Ft.	300	350	-
CFM Supply / Ft.	180	180	-

**ORDER ENTRY INFORMATION**

Project:

Item:

Representative:

Model:

Length: Qty:

Width:  
Height:

Duct - Concentric   
Parallel

Exhaust CFM:  
Supply CFM:

Entered by:

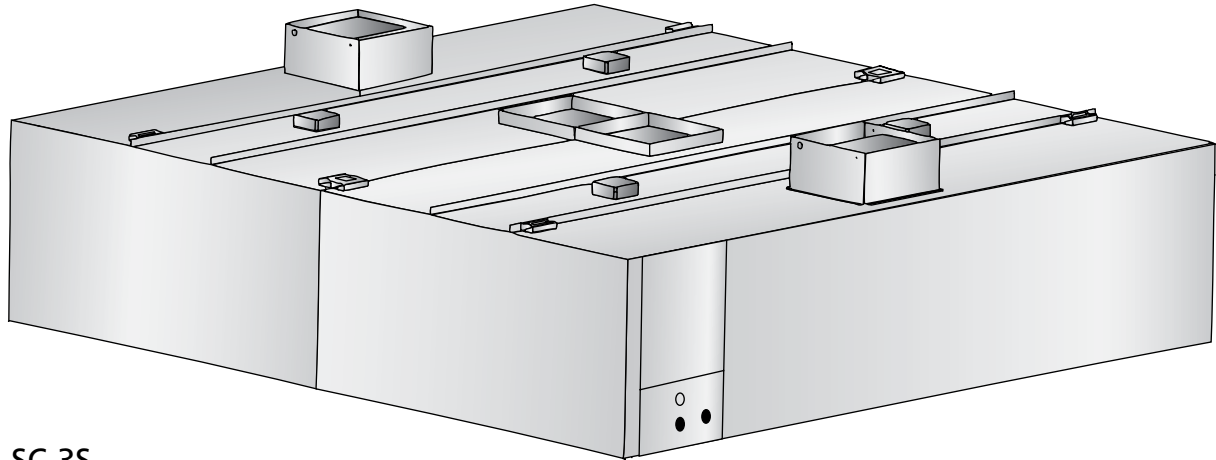
Date:

Drawings Req'd: Y N

List Miscellaneous Options Separately

**Duo-Aire**®

Duo-Aire reserves the right to make changes in design and specifications without prior notice.



### Model SC-35

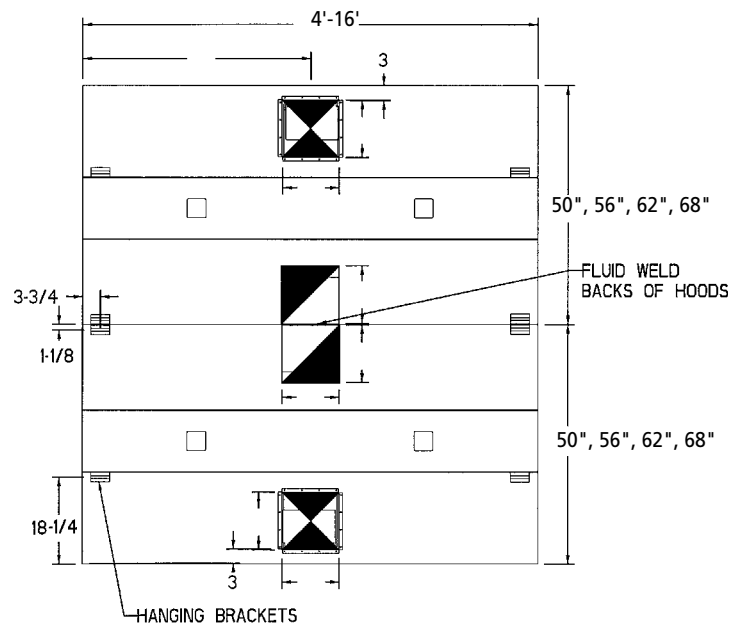
Back to back single plenum internal make-up air canopies constructed of stainless steel where visible and aluminized steel where concealed. All external seams shall be fluid welded and all internal seams shall be sealed with a high temp. silicone caulk. Make-up air shall be introduced under the hood through a full length internal slot. The hood supply plenum shall be lined with 1" thick foil backed fiberglass insulation. The supply air shall pass through two perforated metal baffle plates to even out air flow. A UL Listed fire damper shall be supplied by factory and installed in the field if required. Canopy shall be listed to meet NSF and UL 710 Standards and constructed to meet NFPA-96 requirements. Grease trough to be easily removable and slope to removable grease cup.

#### STANDARD FEATURES

- UL Listed Aluminum Grease Filters
- UL Listed Globe Lights
- Removable Grease Trough & Cup
- Exhaust & Supply Collars Installed
- 1" Thick Air Plenum Insulation
- Stainless Steel Construction Where Visible
- Hanging Brackets
- UL Listed Fire and Air Volume Dampers in Supply Collar
- Flush Mounted Control Panel

#### OPTIONS

- All Stainless Steel Construction
- UL Listed Stainless Steel Grease Filters
- UL Listed Insulated Top and/or Ends for Zero Clearance to Combustible
- 14" Utility Cabinet for Fire Suppression System
- Electrical Control Panel
- Pre-Plumbed Fire Suppression
- Stainless Steel Top Enclosures
- Full-Integrated Duct and Rooftop Package



Plan View

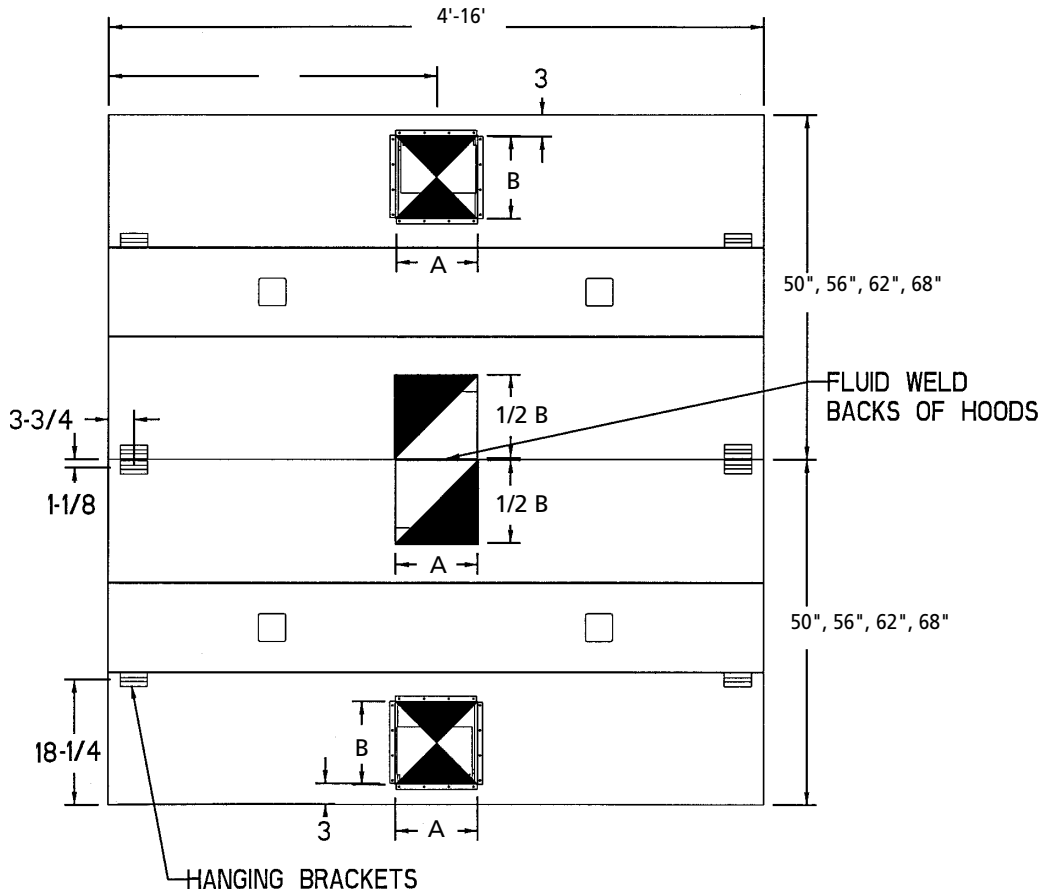
(See reverse side for larger drawing)

Note: Two exhaust ducts required after 12' long.

BUILT IN  
ACCORDANCE  
WITH NFPA 96

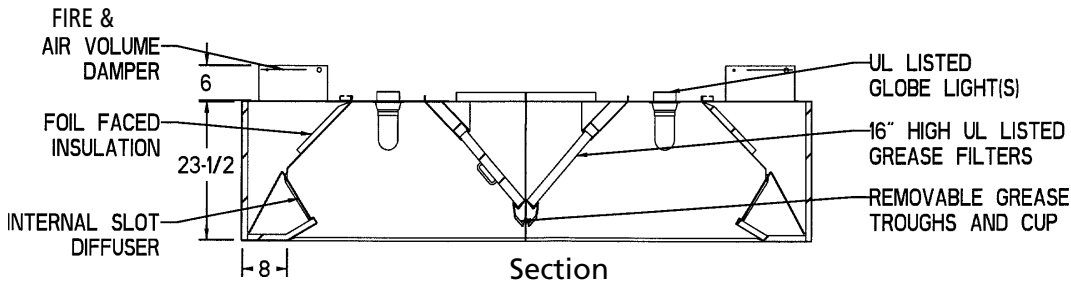


# SC-3S Series Specifications



Plan View

Note: Two exhaust ducts required after 12' long.



Section

### EXHAUST AND SUPPLY RATE REQUIREMENTS

( Recommended Min. Exhaust Flow Rate)	TEMPERATURE OF EQUIPMENT		
	400°	600°	700°
CFM Exhaust / Ft.	600	700	-
CFM Supply / Ft.	360	360	-

## ORDER ENTRY INFORMATION

Project:

Item:

Representative:

Model:

Length: Qty:

Width:  
Height:

Duct - Concentric   
Parallel

Exhaust CFM:  
Supply CFM:

Entered by:

Date:

Drawings Req'd: Y N

List Miscellaneous  
Options Separately

**Duo-Aire**®

Duo-Aire reserves the right to make changes in design and specifications without prior notice.

**Duo-Aire**®

# ENGINEERING WORKSHEET

## SC-1S SERIES 400°F. EQUIPMENT

Length in Ft.	Exhaust CFM 300/Ft.	Exhaust Collar A X B	Duct Velocity FPM	Filter Area Sq. Ft.	Filter Velocity FPM	Exhaust Static Pressure	Supply CFM	Supply Velocity FPM	Supply Static Pressure	Supply Collar A X B
4	1200	10 x 10	1728	4.2	286	.75	720	270	.50	12x12
5	1500	12 x 11	1636	5.3	233	.75	900	270	.50	12x12
6	1800	13 x 12	1662	6.3	286	.75	1080	270	.50	12x12
7	2100	15 x 12	1680	7.4	284	.75	1260	270	.50	18x12
8	2400	18 x 12	1600	8.4	286	.75	1440	270	.50	18x12
9	2700	20 x 12	1620	9.5	284	.75	1620	270	.50	18x12
10	3000	22 x 12	1636	10.5	286	.75	1800	270	.50	24x12
11	3300	24 x 12	1650	11.6	284	.75	1980	270	.50	24x12
12	3600	26 x 12	1662	12.6	286	.75	2160	270	.50	24x12
13	3900	(2)14 x 12	1671	14.0	279	.75	2340	270	.50	(2)12x12
14	4200	(2)15 x 12	1680	15.0	280	.75	2520	270	.50	(2)18x12
15	4500	(2)16 x 12	1688	15.8	285	.75	2700	270	.50	(2)18x12
16	4800	(2)18 x 12	1600	16.8	286	.75	2880	270	.50	(2)24x12

## SC-1S SERIES 600°F. EQUIPMENT

Length in Ft.	Exhaust CFM 350/Ft.	Exhaust Collar A X B	Duct Velocity FPM	Filter Area Sq. Ft.	Filter Velocity FPM	Exhaust Static Pressure	Supply CFM	Supply Velocity FPM	Supply Static Pressure	Supply Collar A X B
4	1400	12 x 10	1680	4.2	333	1.0	720	270	.50	12x12
5	1750	13 x 12	1615	5.3	330	1.0	900	270	.50	12x12
6	2100	15 x 12	1680	6.3	333	1.0	1080	270	.50	12x12
7	2450	18 x 12	1633	7.4	331	1.0	1260	270	.50	18x12
8	2800	20 x 12	1680	8.4	333	1.0	1440	270	.50	18x12
9	3150	23 x 12	1643	9.5	332	1.0	1620	270	.50	18x12
10	3500	26 x 12	1615	10.5	333	1.0	1800	270	.50	24x12
11	3850	28 x 12	1650	11.6	332	1.0	1980	270	.50	24x12
12	4200	30 x 12	1680	12.6	333	1.0	2160	270	.50	24x12
13	4550	(2)16 x 12	1706	14.0	325	1.0	2340	270	.50	(2)12x12
14	4900	(2)18 x 12	1633	15.0	327	1.0	2520	270	.50	(2)18x12
15	5250	(2)19 x 12	1658	15.8	332	1.0	2700	270	.50	(2)18x12
16	5600	(2)20 x 12	1680	16.8	333	1.0	2880	270	.50	(2)24x12

# ENGINEERING WORKSHEET

## SC-3S SERIES 400°F. EQUIPMENT

Length in Ft.	Exhaust CFM 600/Ft.	Exhaust Collar A X B	Duct Velocity FPM	Filter Area Sq. Ft.	Filter Velocity FPM	Exhaust Static Pressure	Supply CFM	Supply Velocity FPM	Supply Static Pressure	Supply Collar A X B
4	2400	15 x 14	1645	8.4	286	.75	1440	270	.50	(2)12x12
5	3000	16 x 16	1688	10.6	283	.75	1800	270	.50	(2)12x12
6	3600	18 x 18	1600	12.6	286	.75	2160	270	.50	(2)12x12
7	4200	20 x 18	1680	14.8	284	.75	2520	270	.50	(2)18x12
8	4800	20 x 20	1728	16.8	286	.75	2880	270	.50	(2)18x12
9	5400	24 x 20	1620	19.0	284	.75	3240	270	.50	(2)18x12
10	6000	26 x 20	1662	21.0	286	.75	3600	270	.50	(2)24x12
11	6600	26 x 22	1662	23.2	284	.75	3960	270	.50	(2)24x12
12	7200	26 x 24	1662	25.2	286	.75	4320	270	.50	(2)24x12
13	7800	(2)18 x 18	1733	28.0	279	.75	4680	270	.50	(4)18x12
14	8400	(2)20 x 18	1680	30.0	280	.75	5040	270	.50	(4)18x12
15	9000	(2)20 x 20	1620	31.6	285	.75	5400	270	.50	(4)18x12
16	9600	(2)20 x 20	1728	33.6	286	.75	5760	270	.50	(4)24x12

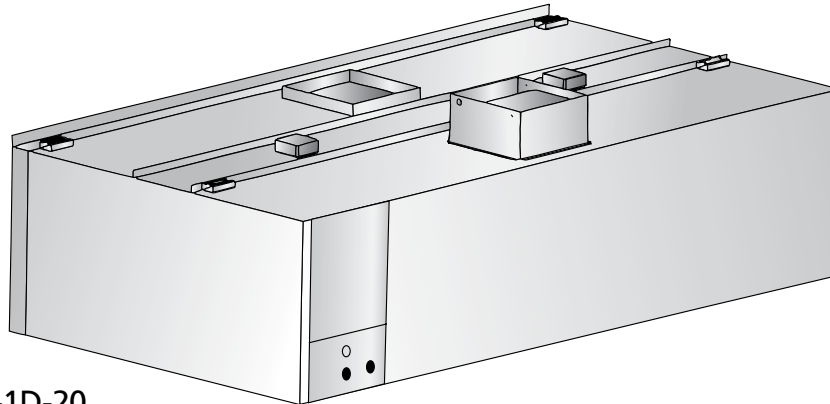
## SC-3S SERIES 600°F. EQUIPMENT

Length in Ft.	Exhaust CFM 700/Ft.	Exhaust Collar A X B	Duct Velocity FPM	Filter Area Sq. Ft.	Filter Velocity FPM	Exhaust Static Pressure	Supply CFM	Supply Velocity FPM	Supply Static Pressure	Supply Collar A X B
4	2800	16 x 15	1680	8.4	333	1.0	1440	270	.50	(2)12x12
5	3500	18 x 17	1647	10.6	330	1.0	1800	270	.50	(2)12x12
6	4200	20 x 18	1680	12.6	333	1.0	2160	270	.50	(2)12x12
7	4900	21 x 20	1680	14.8	331	1.0	2520	270	.50	(2)18x12
8	5600	24 x 20	1680	16.8	333	1.0	2880	270	.50	(2)18x12
9	6300	28 x 20	1620	19.0	332	1.0	3240	270	.50	(2)18x12
10	7000	28 x 22	1636	21.0	333	1.0	3600	270	.50	(2)24x12
11	7700	28 x 24	1650	23.3	332	1.0	3960	270	.50	(2)24x12
12	8400	30 x 24	1680	25.2	333	1.0	4320	270	.50	(2)24x12
13	9100	(2)20 x 20	1638	28.0	325	1.0	4680	270	.50	(4)18x12
14	9800	(2)21 x 20	1680	30.0	327	1.0	5040	270	.50	(4)18x18
15	10500	(2)22 x 20	1718	31.6	332	1.0	5400	270	.50	(4)18x12
16	11200	(2)24 x 20	1680	33.6	333	1.0	5760	270	.50	(4)24x12

# Duo-Aire

## ® SC-1D / SC-1D-20 Internal Make-up Air Wall Canopy

With Diffuser



### Model SC-1D / SC-1D-20

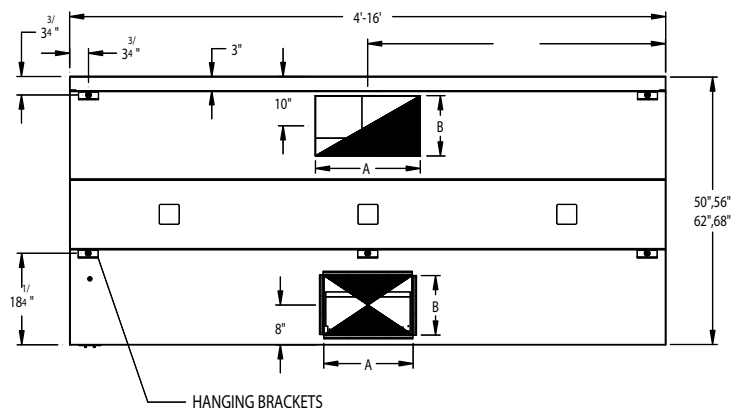
A single plenum internal make-up air canopy constructed of stainless steel where visible and aluminized steel where concealed. All external seams shall be fluid welded and all internal seams shall be sealed with a high temp. silicone caulk. The Make-up air grill shall be an extruded aluminum diffuser with 15° nonadjustable vanes spaced 1/2" apart. The hood supply plenum shall be lined with 1" thick foil backed fiberglass insulation. The supply air shall pass through two perforated metal baffle plates to equalize air flow. A UL Listed collar and fire damper shall be supplied by factory and may be installed in the field if required. Canopy shall be listed to meet NSF and UL 710 Standards and constructed to meet NFPA-96 requirements. Grease trough to be easily removable and slope to removable grease cup.

#### STANDARD FEATURES

- UL Listed Aluminum Grease Filters
- UL Listed Globe Lights/Bulbs Not Included
- 3" Rear Air Space
- Removable Grease Trough & Cup
- Exhaust & Supply Collars Installed
- Hanging Brackets
- 1" Thick Air Plenum Insulation
- Stainless Steel Construction Where Visible
- Extruded Aluminum Interior Linear Diffuser
- UL Listed Fire and Air Volume Dampers in Supply Collar
- Flush Mounted Control Panel

#### OPTIONS

- All Stainless Steel Construction
- UL Listed Stainless Steel Grease Filters
- UL Listed Insulated Top, Back and/or Ends for Zero Clearance to Combustible
- 14" Utility Cabinet for Fire Suppression System
- Electrical Control Panel
- Pre-Plumbed Fire Suppression
- Stainless Steel Top Enclosures
- Full-Integrated Duct and Rooftop Package



Plan View

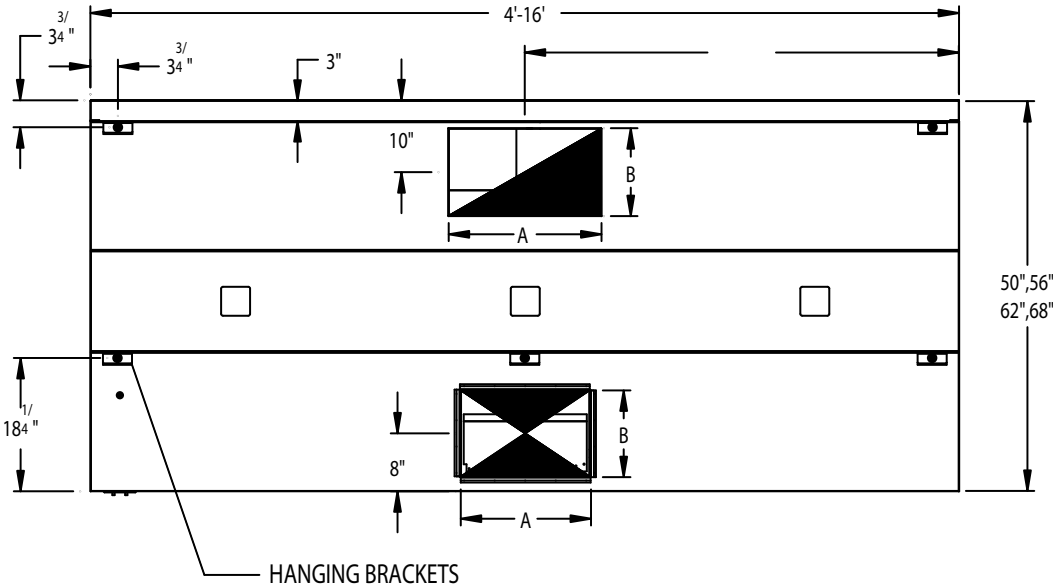
(See reverse side for larger drawing)

Note: Two exhaust ducts required after 12' long.

BUILT IN  
ACCORDANCE  
WITH NFPA 96

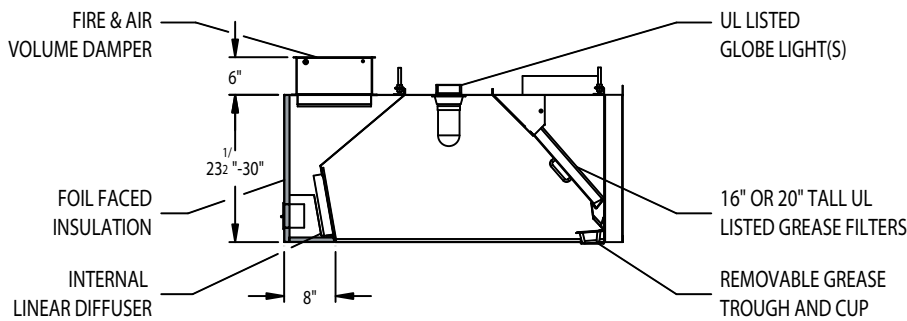


SC-1D / SC-1D-20 Series - Internal Make-up Air Wall Canopy



Plan View

Note: Two exhaust ducts required after 12' long.



Section

**EXHAUST AND SUPPLY RATE REQUIREMENTS**

( Recommended Min. Exhaust Flow Rate)	TEMPERATURE OF EQUIPMENT		
	400°	600°	700°
CFM Exhaust / Ft.	300	350	-
CFM Supply / Ft.	210	210	-

**ORDER ENTRY INFORMATION**

Project:

Item:

Representative:

Model:

Length:            Qty:

Width:  
Height:

Duct -    Concentric   
             Parallel

Exhaust CFM:  
Supply CFM:

Entered by:

Date:

Drawings Req'd:    Y    N

List Miscellaneous  
Options Separately



Duo-Aire reserves the right to make changes in design and specifications without prior notice.

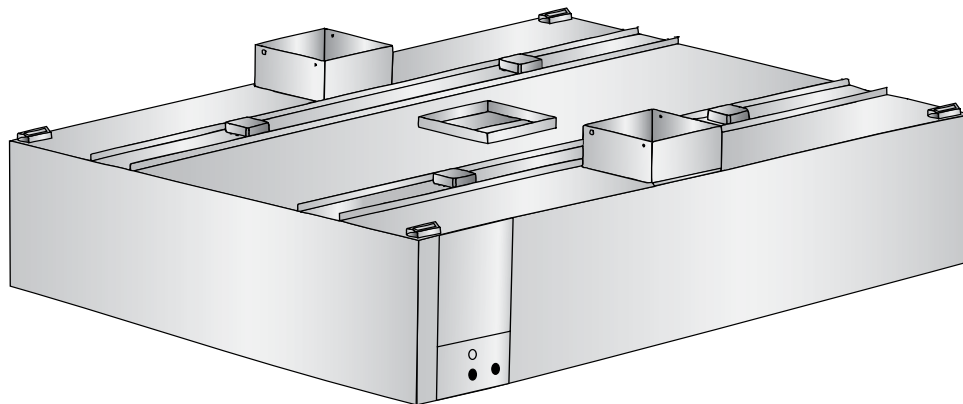


# Duo-Aire

® SC-2D / SC-2D-20

## Internal Make-up Air Island Canopy

With Diffuser



### Model SC-2D / SC-2D-20

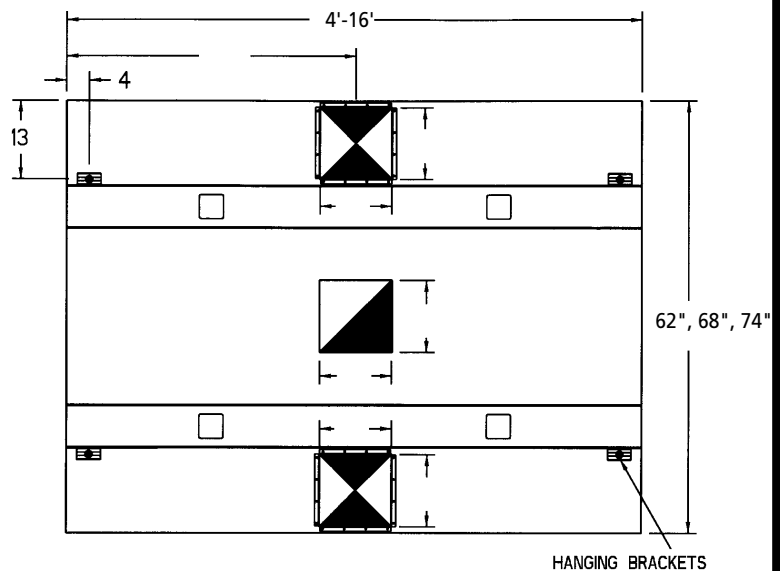
A single plenum internal make-up air canopy constructed of stainless steel where visible and aluminized steel where concealed. All external seams shall be fluid welded and all internal seams shall be sealed with a high temp. silicone caulk. The Make-up air grills shall be extruded aluminum diffusers with 15° nonadjustable vanes spaced 1/2" apart. The hood supply plenum shall be lined with 1" thick foil backed fiberglass insulation. The supply air shall pass through two perforated metal baffle plates to even out air flow. UL Listed collar and fire dampers shall be supplied by factory and may be installed in the field if required. Canopy shall be listed to meet NSF and UL 710 Standards and constructed to meet NFPA-96 requirements. Grease trough to be easily removable and slope to removable grease cup.

#### STANDARD FEATURES

- UL Listed Aluminum Grease Filters
- UL Listed Globe Lights
- Removable Grease Trough & Cup
- Exhaust & Supply Collars Installed
- Hanging Brackets
- 1" Thick Air Plenum Insulation
- Stainless Steel Construction Where Visible
- Extruded Aluminum Interior Linear Diffuser
- UL Listed Fire and Air Volume Dampers in Supply Collar
- Flush Mounted Control Panel

#### OPTIONS

- All Stainless Steel Construction
- UL Listed Stainless Steel Grease Filters
- UL Listed Insulated Top and/or Ends for Zero Clearance to Combustible
- 14" Utility Cabinet for Fire Suppression System
- Electrical Control Panel
- Pre-Plumbed Fire Suppression
- Stainless Steel Top Enclosures
- Full-Integrated Duct and Rooftop Package



Plan View

(See reverse side for larger drawing)

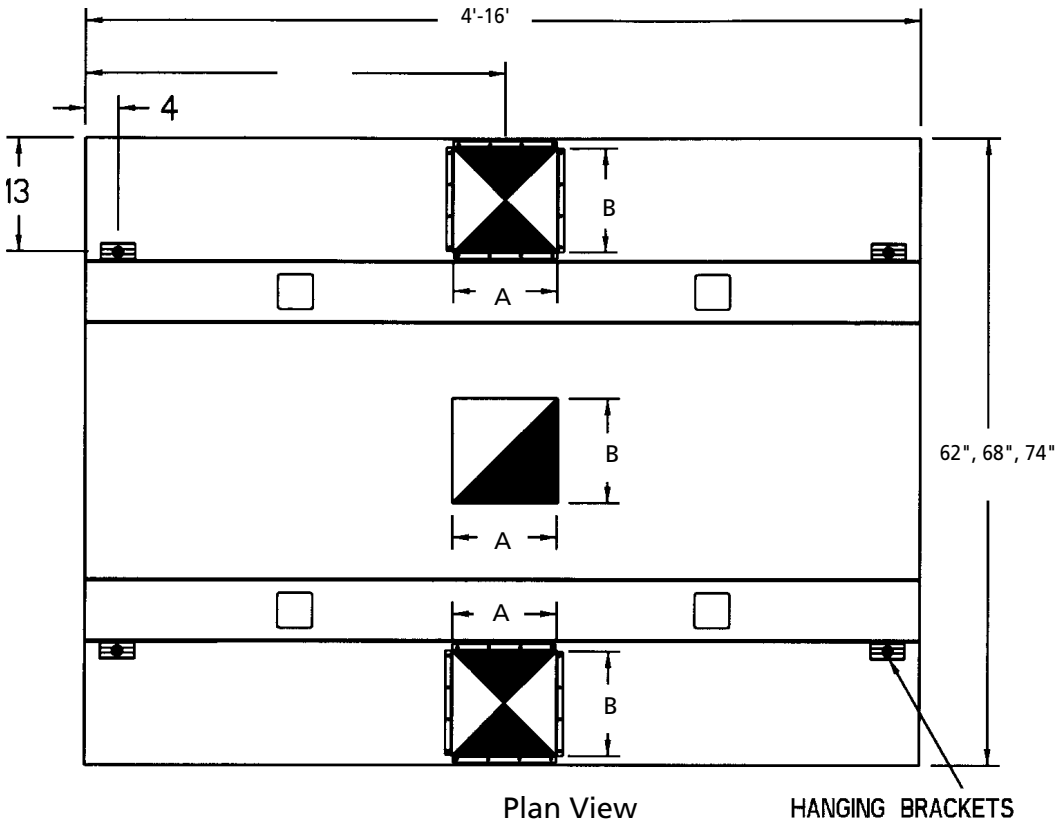
Note: Two exhaust ducts required after 12' long.

BUILT IN  
ACCORDANCE  
WITH NFPA 96

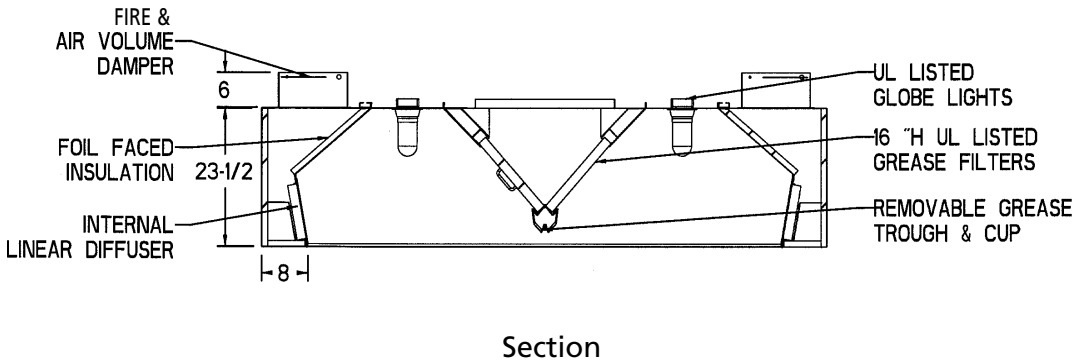


SC-2D / SC-2D-20 Series - Internal Make-up Air Island Canopy

# SC-2D / SC-2D-20 Series Specifications



Note: Two exhaust ducts required after 12' long.



## EXHAUST AND SUPPLY RATE REQUIREMENTS

( Recommended Min. Exhaust Flow Rate)	TEMPERATURE OF EQUIPMENT		
	400°	600°	700°
CFM Exhaust / Ft.	450	600	-
CFM Supply / Ft.	250	250	-

## ORDER ENTRY INFORMATION

Project:

Item:

Representative:

Model:

Length: Qty:

Width:  
Height:

Duct - Concentric   
Parallel

Exhaust CFM:  
Supply CFM:

Entered by:

Date:

Drawings Req'd: Y N

List Miscellaneous  
Options Separately

**Duo-Aire**®

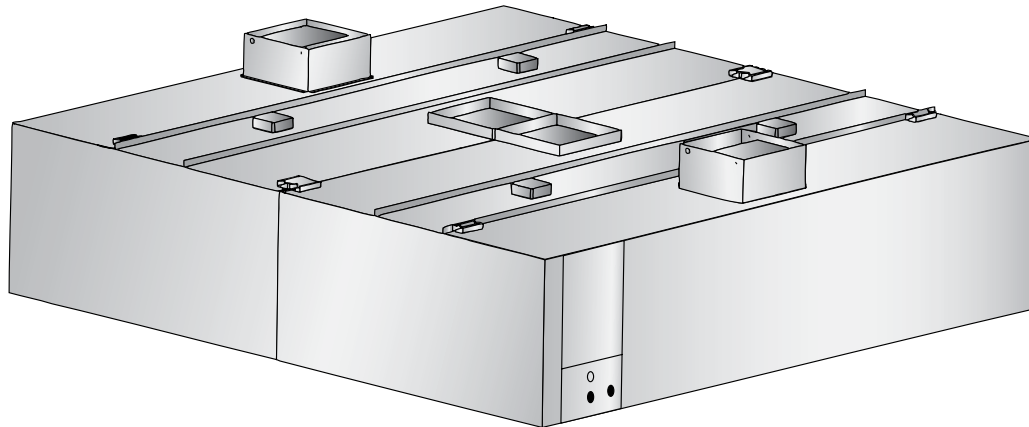
Duo-Aire reserves the right to make changes in design and specifications without prior notice.

**Duo-Aire**®

# Duo-Aire

## SC-3D Internal Make-up Air Island Canopy

With Diffuser



### Model SC-3D

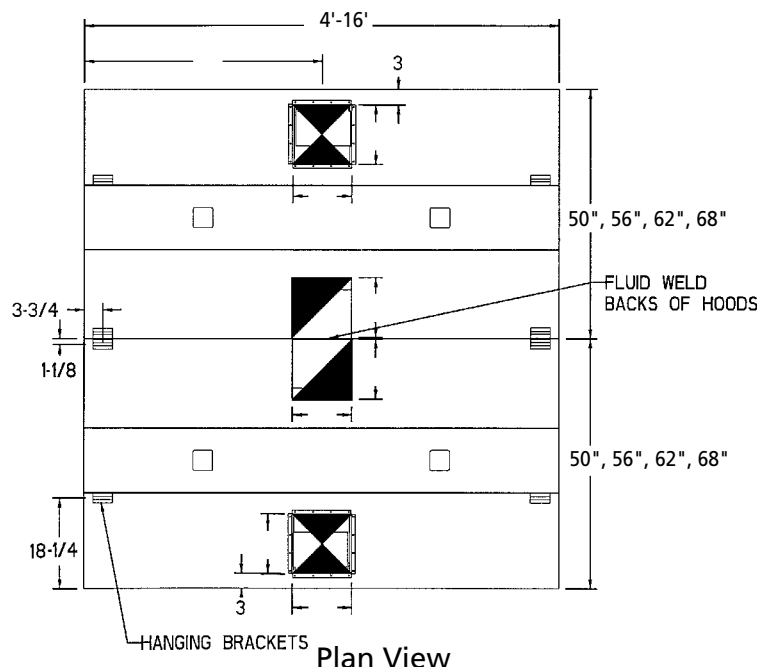
A double shell internal make-up air canopy constructed of stainless steel where visible and aluminized steel where concealed. All external seams shall be fluid welded and all internal seams shall be sealed with a high temp. silicone caulk. The Make-up air grill shall be an extruded aluminum diffuser with 15° nonadjustable vanes spaced 1/2" apart. The hood supply plenum shall be lined with 1" thick foil backed fiberglass insulation. The supply air shall pass through two perforated metal baffle plates to even out air flow. A UL Listed collar and fire damper shall be supplied by factory and may be installed in the field if required. Canopy shall be listed to meet NSF and UL 710 Standards and constructed to meet NFPA-96 requirements. Grease trough to be easily removable and slope to removable grease cup.

#### STANDARD FEATURES

- UL Listed Aluminum Grease Filters
- UL Listed Globe Lights
- Removable Grease Trough & Cup
- Exhaust & Supply Collars Installed
- Hanging Brackets
- 1" Thick Air Plenum Insulation
- Stainless Steel Construction Where Visible
- Extruded Aluminum Interior Linear Diffuser
- UL Listed Fire and Air Volume Dampers in Supply Collar
- Flush Mounted Control Panel

#### OPTIONS

- All Stainless Steel Construction
- UL Listed Stainless Steel Grease Filters
- UL Listed Insulated Top and/or Ends for Zero Clearance to Combustible
- 14" Utility Cabinet for Fire Suppression System
- Electrical Control Panel
- Pre-Plumbed Fire Suppression
- Stainless Steel Top Enclosures
- Full-Integrated Duct and Rooftop Package

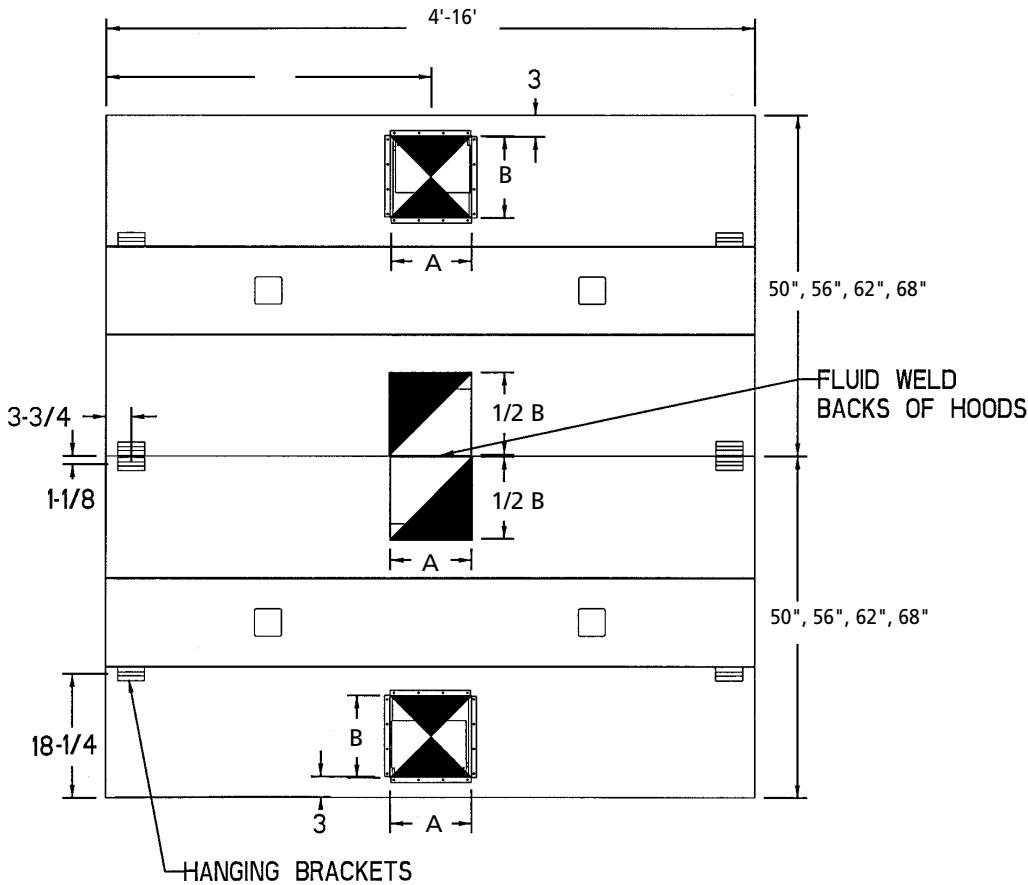


Note: Two exhaust ducts required after 12' long.

BUILT IN  
ACCORDANCE  
WITH NFPA 96

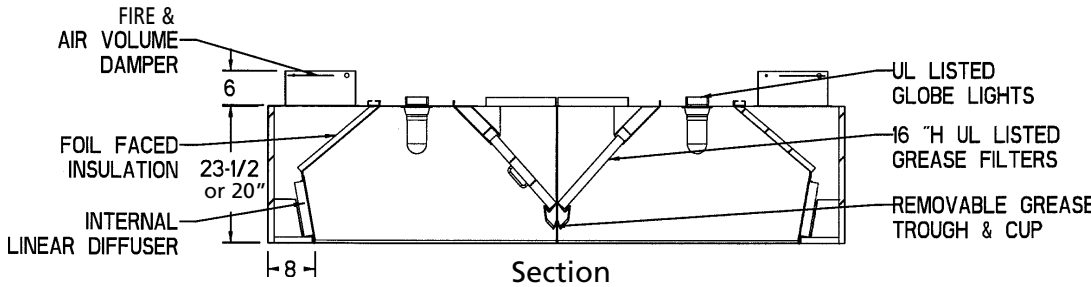


SC-3D Island Style Series - Internal Make-up Air Island Canopy



**Plan View**

Note: Two exhaust ducts required after 12' long.



**Section**

**EXHAUST AND SUPPLY RATE REQUIREMENTS**

( Recommended Min. Exhaust Flow Rate)	TEMPERATURE OF EQUIPMENT		
	400°	600°	700°
CFM Exhaust / Ft.	600	700	-
CFM Supply / Ft.	420	420	-

**ORDER ENTRY INFORMATION**

Project:

Item:

Representative:

Model:

Length: Qty:

Width: Height:

Duct - Concentric   
Parallel

Exhaust CFM:  
Supply CFM:

Entered by:

Date:

Drawings Req'd: Y N

List Miscellaneous Options Separately



Duo-Aire reserves the right to make changes in design and specifications without prior notice.

# ENGINEERING WORKSHEET

## SC-1D / SC-1D-20 SERIES

### 400°F. EQUIPMENT

Length in Ft.	Exhaust CFM 300/Ft.	Exhaust Collar A X B	Duct Velocity FPM	Filter Area Sq. Ft.	Filter Velocity FPM	Exhaust Static Pressure	Supply CFM	Supply Velocity FPM	Supply Static Pressure	Supply Collar A X B
4	1200	10 x 10	1728	4.2	286	.75	720	270	.50	12x12
5	1500	12 x 11	1636	5.3	233	.75	900	270	.50	12x12
6	1800	13 x 12	1662	6.3	286	.75	1080	270	.50	18x12
7	2100	15 x 12	1680	7.4	284	.75	1260	270	.50	18x12
8	2400	18 x 12	1600	8.4	286	.75	1440	270	.50	18x12
9	2700	20 x 12	1620	9.5	284	.75	1620	270	.50	24x12
10	3000	22 x 12	1636	10.5	286	.75	1800	270	.50	24x12
11	3300	24 x 12	1650	11.6	284	.75	1980	270	.50	24x12
12	3600	26 x 12	1662	12.6	286	.75	2160	270	.50	(2)18x12
13	3900	(2)14 x 12	1671	14.0	279	.75	2340	270	.50	(2)18x12
14	4200	(2)15 x 12	1680	15.0	280	.75	2520	270	.50	(2)24x12
15	4500	(2)16 x 12	1688	15.8	285	.75	2700	270	.50	(2)24x12
16	4800	(2)18 x 12	1600	16.8	286	.75	2880	270	.50	(2)24x12

## SC-1D / SC-1D-20 SERIES

### 600°F. EQUIPMENT

Length in Ft.	Exhaust CFM 350/Ft.	Exhaust Collar A X B	Duct Velocity FPM	Filter Area Sq. Ft.	Filter Velocity FPM	Exhaust Static Pressure	Supply CFM	Supply Velocity FPM	Supply Static Pressure	Supply Collar A X B
4	1400	12 x 10	1680	4.2	333	1.0	720	270	.50	12x12
5	1750	13 x 12	1615	5.3	330	1.0	900	270	.50	12x12
6	2100	15 x 12	1680	6.3	333	1.0	1080	270	.50	12x12
7	2450	18 x 12	1633	7.4	331	1.0	1260	270	.50	18x12
8	2800	20 x 12	1680	8.4	333	1.0	1440	270	.50	18x12
9	3150	23 x 12	1643	9.5	332	1.0	1620	270	.50	18x12
10	3500	26 x 12	1615	10.5	333	1.0	1800	270	.50	24x12
11	3850	28 x 12	1650	11.6	332	1.0	1980	270	.50	24x12
12	4200	30 x 12	1680	12.6	333	1.0	2160	270	.50	24x12
13	4550	(2)16 x 12	1706	14.0	325	1.0	2340	270	.50	(2)12x12
14	4900	(2)18 x 12	1633	15.0	327	1.0	2520	270	.50	(2)18x12
15	5250	(2)19 x 12	1658	15.8	332	1.0	2700	270	.50	(2)18x12
16	5600	(2)20 x 12	1680	16.8	333	1.0	2880	270	.50	(2)24x12

# ENGINEERING WORKSHEET

## SC-2D / SC-2D-20 SERIES

### 400°F. EQUIPMENT

Length in Ft.	Exhaust CFM 450/Ft.	Exhaust Collar A X B	Duct Velocity FPM	Filter Area Sq. Ft.	Filter Velocity FPM	Exhaust Static Pressure	Supply CFM	Supply Velocity FPM	Supply Static Pressure	Supply Collar A X B
4	1800	13 x 12	1662	8.4	214	.75	1000	145	.50	(2)12x12
5	2250	14 x 14	1653	10.6	212	.75	1250	145	.50	(2)12x12
6	2700	16 x 15	1620	12.6	214	.75	1500	145	.50	(2)18x12
7	3150	17 x 16	1667	14.8	213	.75	1750	145	.50	(2)18x12
8	3600	20 x 16	1643	16.8	214	.75	2000	145	.50	(2)18x12
9	4050	22 x 16	1657	19.0	213	.75	2250	145	.50	(2)18x12
10	4500	24 x 16	1688	21.0	214	.75	2500	145	.50	(2)18x12
11	4950	27 x 16	1650	23.2	213	.75	2750	145	.50	(2)18x12
12	5400	30 x 16	1620	25.2	214	.75	3000	145	.50	(2)18x12
13	5850	30 x 17	1652	28.0	209	.75	3250	145	.50	(4)18x12
14	6300	30 x 18	1680	30.0	210	.75	3500	145	.50	(4)18x12

## SC-2D / SC-2D-20 SERIES

### 600°F. EQUIPMENT

Length in Ft.	Exhaust CFM 600/Ft.	Exhaust Collar A X B	Duct Velocity FPM	Filter Area Sq. Ft.	Filter Velocity FPM	Exhaust Static Pressure	Supply CFM	Supply Velocity FPM	Supply Static Pressure	Supply Collar A X B
4	2400	15 x 14	1646	8.4	286	1.0	1000	217	.50	(2)12x12
5	3000	16 x 16	1688	10.6	283	1.0	1250	217	.50	(2)12x12
6	3600	20 x 16	1620	12.6	286	1.0	1500	217	.50	(2)18x12
7	4200	23 x 16	1643	14.8	284	1.0	1750	217	.50	(2)18x12
8	4800	26 x 16	1662	16.8	286	1.0	2000	217	.50	(2)18x12
9	5400	30 x 16	1620	19.0	284	1.0	2250	217	.50	(2)18x12
10	6000	30 x 18	1600	20.0	286	1.0	2500	217	.50	(2)18x12
11	6600	30 x 19	1667	23.2	284	1.0	2750	217	.50	(2)18x12
12	7200	31 x 20	1672	25.2	286	1.0	3000	217	.50	(2)18x12
13	7800	34 x 20	1652	28.0	279	1.0	3250	217	.50	(4)18x12
14	8400	34 x 22	1617	30.0	280	1.0	3500	217	.50	(4)18x12

# ENGINEERING WORKSHEET

## SC-3D SERIES 400°F. EQUIPMENT

Length in Ft.	Exhaust CFM 600/Ft.	Exhaust Collar A X B	Duct Velocity FPM	Filter Area Sq. Ft.	Filter Velocity FPM	Exhaust Static Pressure	Supply CFM	Supply Velocity FPM	Supply Static Pressure	Supply Collar A X B
4	2400	15 x 14	1645	8.4	286	.75	1440	270	.50	(2)12x12
5	3000	16 x 16	1688	10.6	283	.75	1800	270	.50	(2)12x12
6	3600	18 x 18	1600	12.6	286	.75	2160	270	.50	(2)12x12
7	4200	20 x 18	1680	14.8	284	.75	2520	270	.50	(2)18x12
8	4800	20 x 20	1728	16.8	286	.75	2880	270	.50	(2)18x12
9	5400	24 x 20	1620	19.0	284	.75	3240	270	.50	(2)18x12
10	6000	26 x 20	1662	21.0	286	.75	3600	270	.50	(2)24x12
11	6600	26 x 22	1662	23.2	284	.75	3960	270	.50	(2)24x12
12	7200	26 x 24	1662	25.2	286	.75	4320	270	.50	(2)24x12
13	7800	(2)18 x 18	1733	28.0	279	.75	4680	270	.50	(4)18x12
14	8400	(2)20 x 18	1680	30.0	280	.75	5040	270	.50	(4)18x12
15	9000	(2)20 x 20	1620	31.6	285	.75	5400	270	.50	(4)18x12
16	9600	(2)20 x 20	1728	33.6	286	.75	5760	270	.50	(4)24x12

## SC-3D SERIES 600°F. EQUIPMENT

Length in Ft.	Exhaust CFM 700/Ft.	Exhaust Collar A X B	Duct Velocity FPM	Filter Area Sq. Ft.	Filter Velocity FPM	Exhaust Static Pressure	Supply CFM	Supply Velocity FPM	Supply Static Pressure	Supply Collar A X B
4	2800	16 x 15	1680	8.4	333	1.0	1440	270	.50	(2)12x12
5	3500	18 x 17	1647	10.6	330	1.0	1800	270	.50	(2)12x12
6	4200	20 x 18	1680	12.6	333	1.0	2160	270	.50	(2)12x12
7	4900	21 x 20	1680	14.8	331	1.0	2520	270	.50	(2)12x18
8	5600	24 x 20	1680	16.8	333	1.0	2880	270	.50	(2)12x18
9	6300	28 x 20	1620	19.0	332	1.0	3240	270	.50	(2)12x18
10	7000	28 x 22	1636	21.0	333	1.0	3600	270	.50	(2)12x24
11	7700	28 x 24	1650	23.3	332	1.0	3960	270	.50	(2)12x24
12	8400	30 x 24	1680	25.2	333	1.0	4320	270	.50	(2)12x24
13	9100	(2)20 x 20	1638	28.0	325	1.0	4680	270	.50	(4)12x18
14	9800	(2)21 x 20	1680	30.0	327	1.0	5040	270	.50	(4)12x18
15	10500	(2)22 x 20	1718	31.6	332	1.0	5400	270	.50	(4)12x18
16	11200	(2)24 x 20	1680	33.6	333	1.0	5760	270	.50	(4)12x24